



# SEATS AND STOOLS

Quality Chairs, Barstools and Replacement Seats and Backs

## Breuer Seat and Back Instructions

No Hardware Supplied Use From Your Old Chair

If you are replacing both your Breuer seats and the backs, **DO NOT REMOVE BOTH PIECES AT THE SAME TIME.**  
**Do the backs first then the seats.**

Watch our instructional video at:

<http://www.seatsandstools.com/video-instructions.php>

### Instructions For Attaching New Breuer Seat

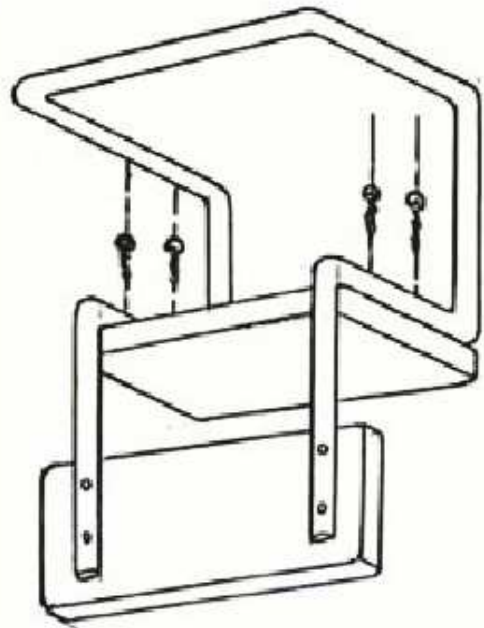
1. Place your new seat upside down (as shown) on a flat surface (corner of a table). Position your chair frame with the front of the replacement seat.  
Make very small guide holes in bottom of seat with a nail or drill bit before fastening seat with screws to insure easier assembly. Cane seats have predrilled pilot holes.
2. Secure the seat to frame using original four (4) screws. Note: A little soap on the screw threads is a big help. (Caution: Do not over tighten screws.)
- 3.

Your new Breuer replacement seat is ready to use.

### Instructions For Attaching New Breuer Backs

1. Measure the distance from the top of your existing chair to the floor.  
Remove old back. Hold new back at same distance from top to floor. Make very small guide holes in back of replacement back with a nail or drill bit before fastening back with screws.  
Secure the back to frame using original four (4) screws.  
Note: A little soap on the screw threads is a big help.
- 2.
3. (Caution: Do not over tighten screws.)

Your new Breuer replacement back is ready to use.



### WATCH OUR NEW VIDEO AT:

<http://www.seatsandstools.com/video-instructions.php>

Any questions or problems please call: 1-866-967-3287